

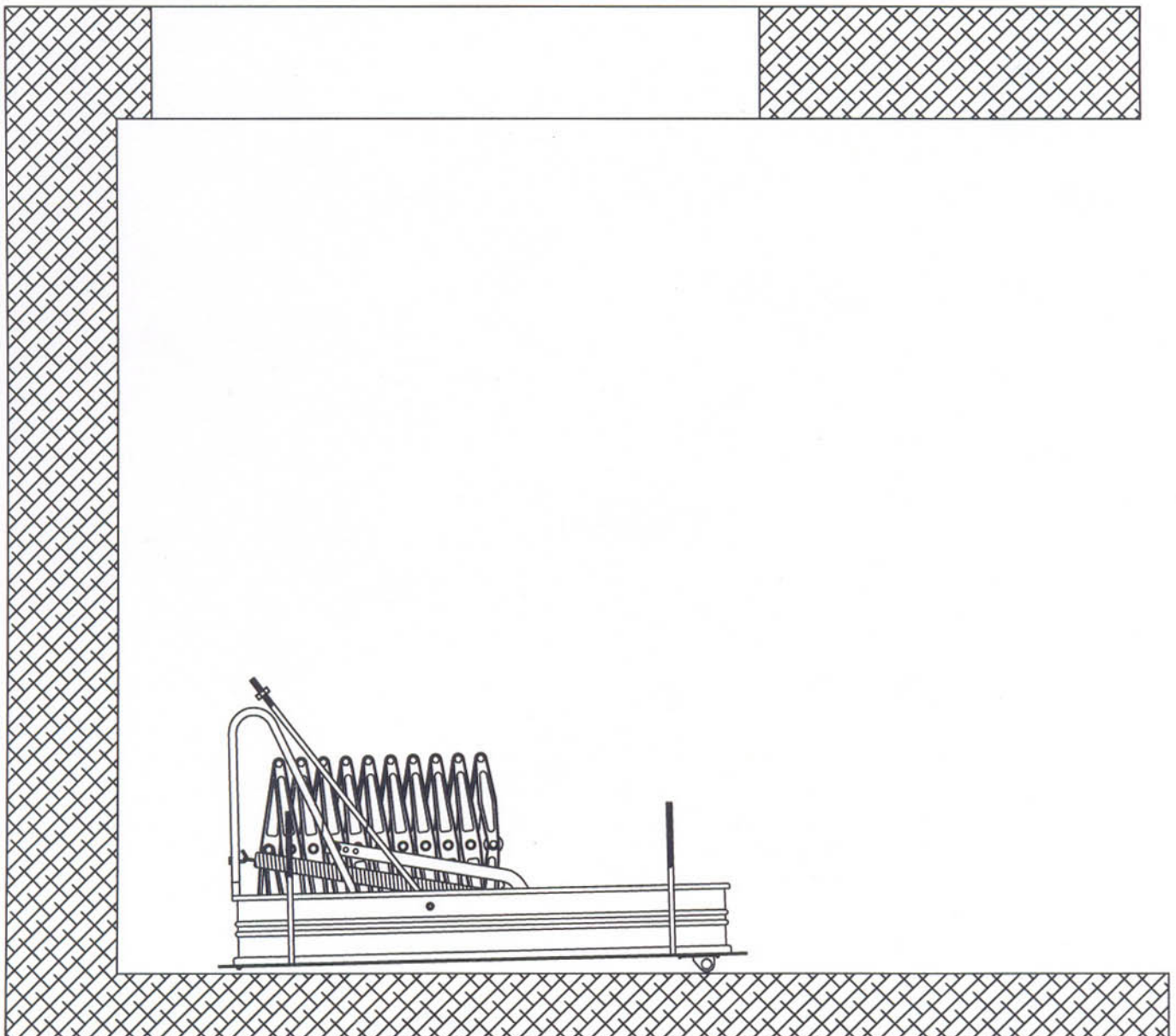
Fixing instructions for loft ladders

" ACI SVEZIA ".

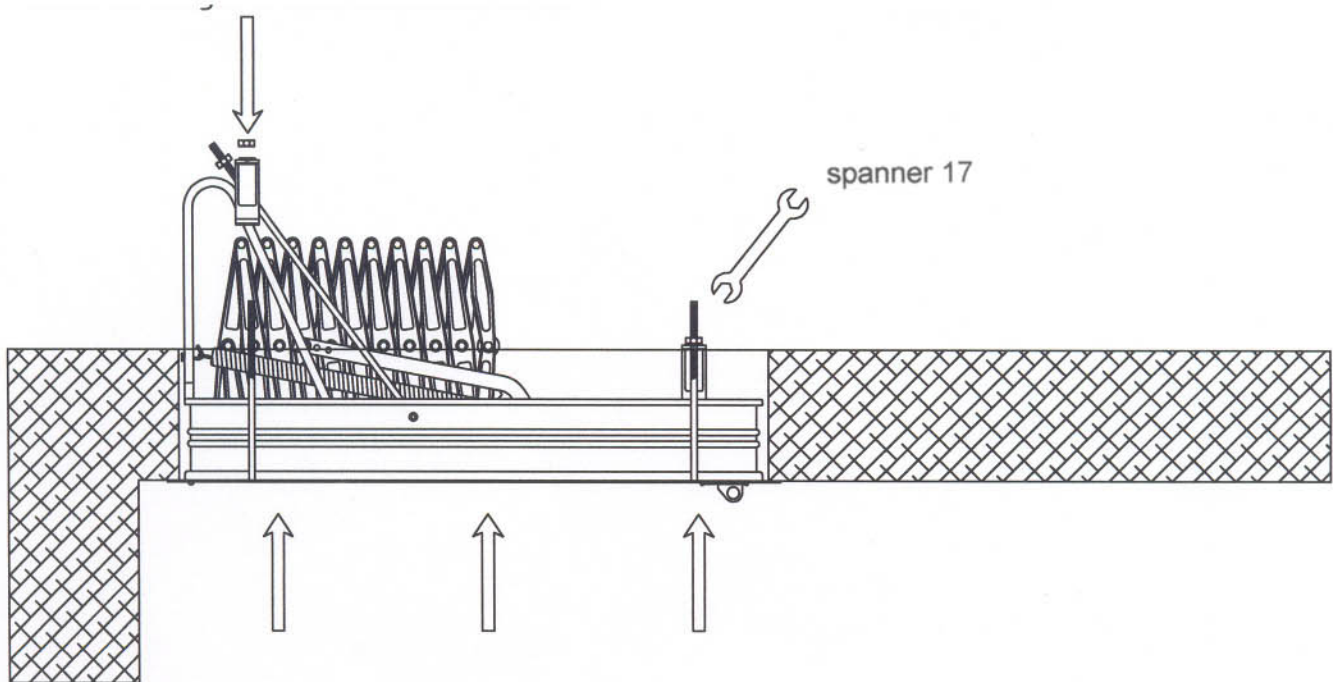
Purpose: define the steps to be taken to fix the loft ladder Models "ACI SVEZIA".

Working procedure:

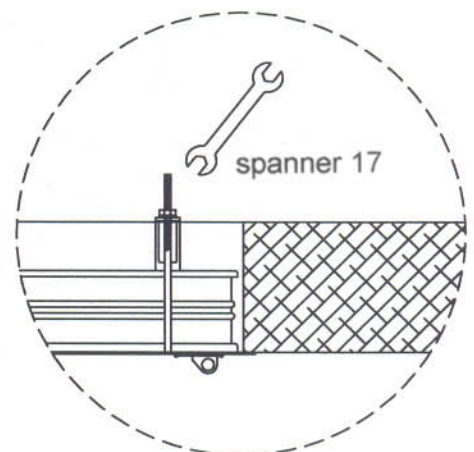
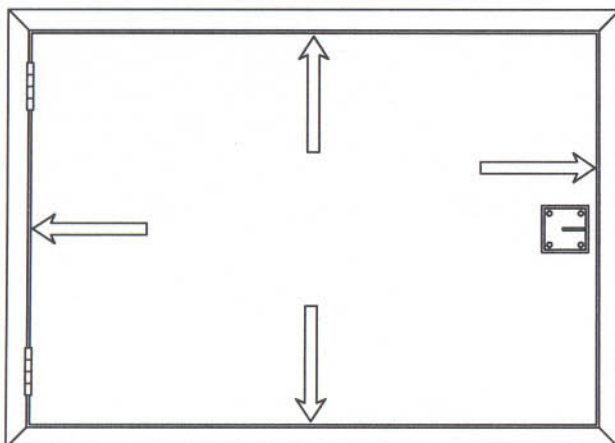
- 1) Open the package and leave the ladder and the stick to pull the ladder down on the access floor. Take the 4 top-fixing brackets with their relevant 10ma nuts to the landing floor.



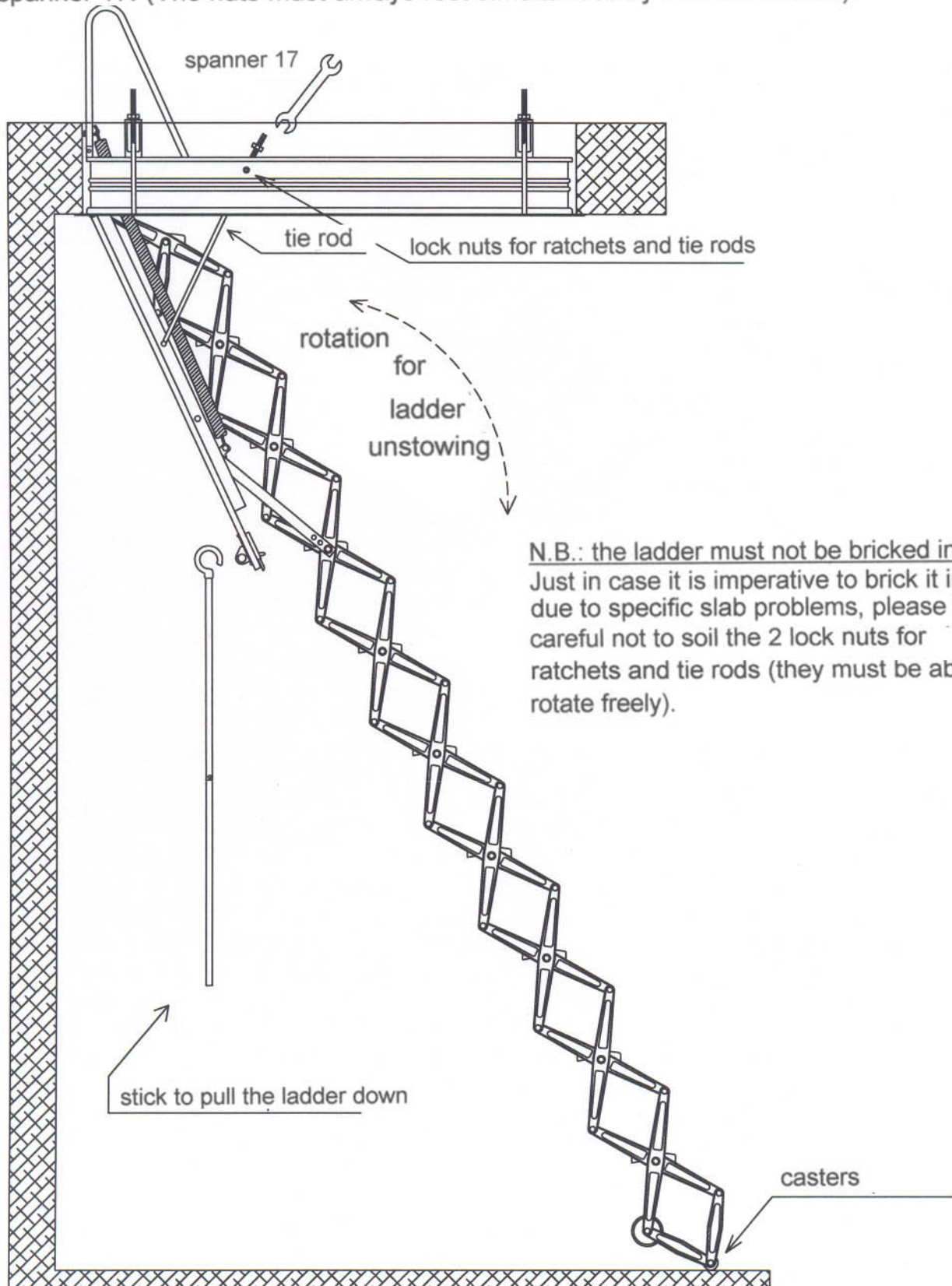
- 2) By means of supports or ropes slip the ladder inside the wall aperture from underneath. Immediately after that, insert the 4 drilled brackets vertically into the 10ma threaded, projecting bars. Screw down the 10ma nuts with a spanner 17 until the bottom frame beam of the ladder fits snugly to the slab (do not finally tighten it).



- 3) Check the ladder (in its stowed position) from underneath and make sure there is a steady fissure between the frame and the panel (ladder with right angles) and that anyhow the panel does not make contact with the frame.
If this is not the case, you have to adjust the ladder from the top, by means of small displacements.
Then finally tighten the ladder firmly to the slab at the 10ma nuts of the brackets by means of the spanner 17.

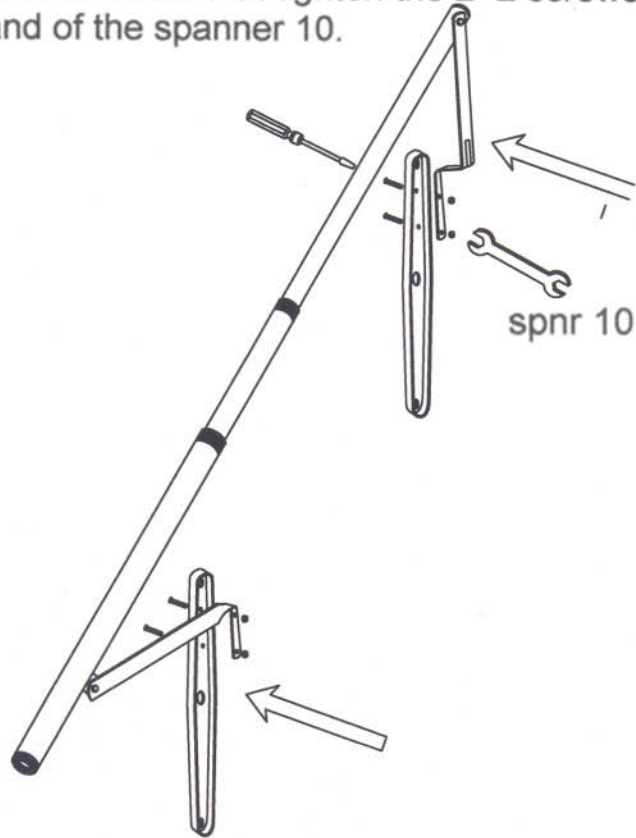


- 4) Use the stick ending in a hook (the stick is made up of two sections) to unstow the ladder from underneath, by inserting the hook in the projecting ring of the panel and pulling the stick. Then turn and extend the ladder ramp until it reaches the floor. (Securely foot the ladder with the two nylon casters resting firmly on the floor). Should the ladder be adjusted for heights falling outside standard heights, you must adjust the tie rods, by either screwing down or screwing out both M10 nuts with the spanner 17. (The nuts must always rest simultaneously on the ratchets).



N.B.: the ladder must not be bricked in
Just in case it is imperative to brick it in due to specific slab problems, please be careful not to soil the 2 lock nuts for ratchets and tie rods (they must be able to rotate freely).

- 5) In case you have to fit a handrail which is right-hand side while climbing up, fit it when the ladder is unfolded. Place the handrail next to the ramp, with the "L"-shaped lever beside the bottom pre-drilled lever and the straight lever next to the top pre-drilled lever. After that tighten the 2+2 screws with nuts, by means of the screwdriver and of the spanner 10.



N.B.: We recommend to grease with silicone oil each hexagonal headed bolt of pantograph before the use - later on, every six months.