

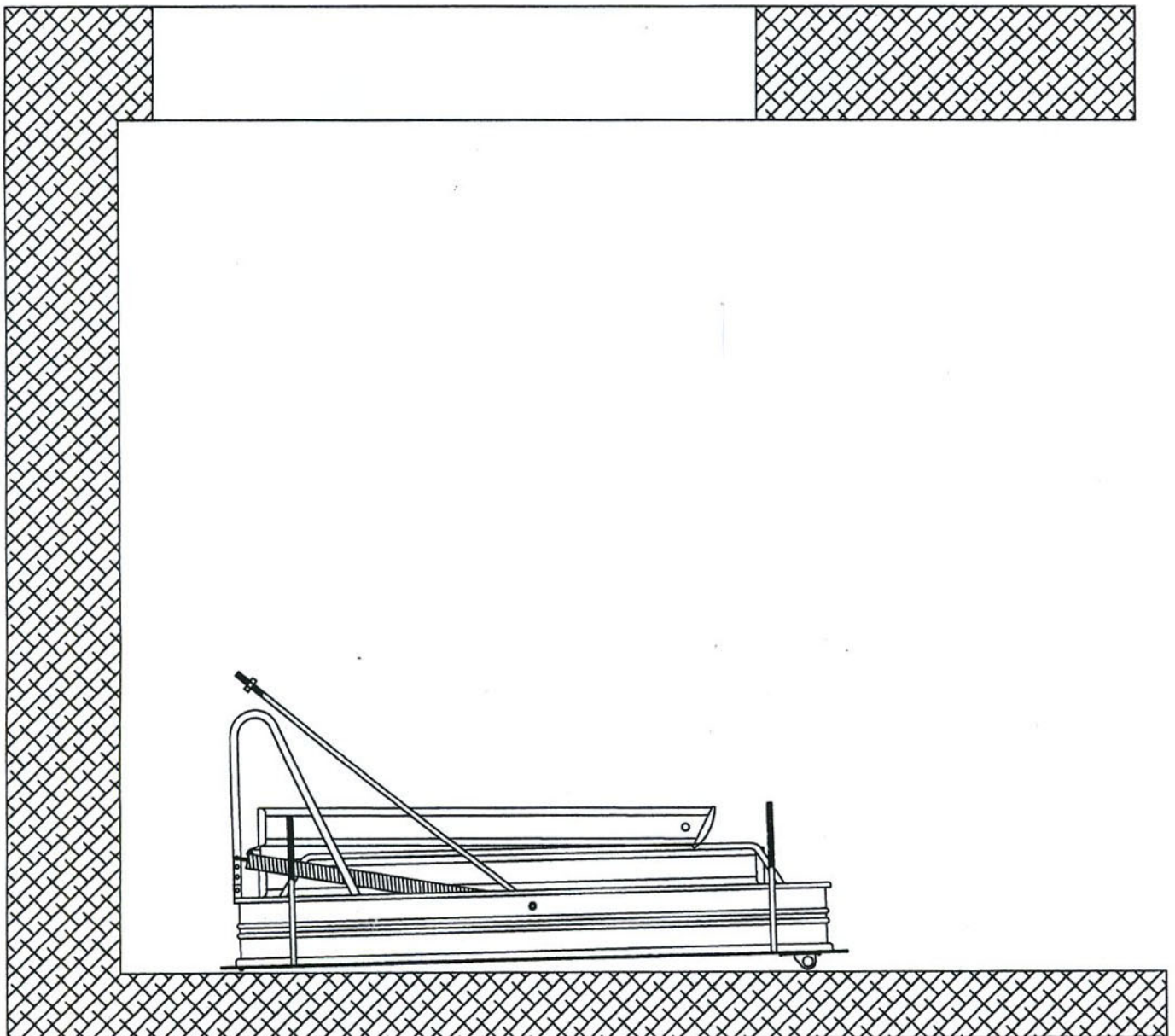
## Fixing instructions for loft ladders "ACI TRE" e "ACI QUATTRO".

Purpose: define the steps to be taken to fix the loft ladder Models:

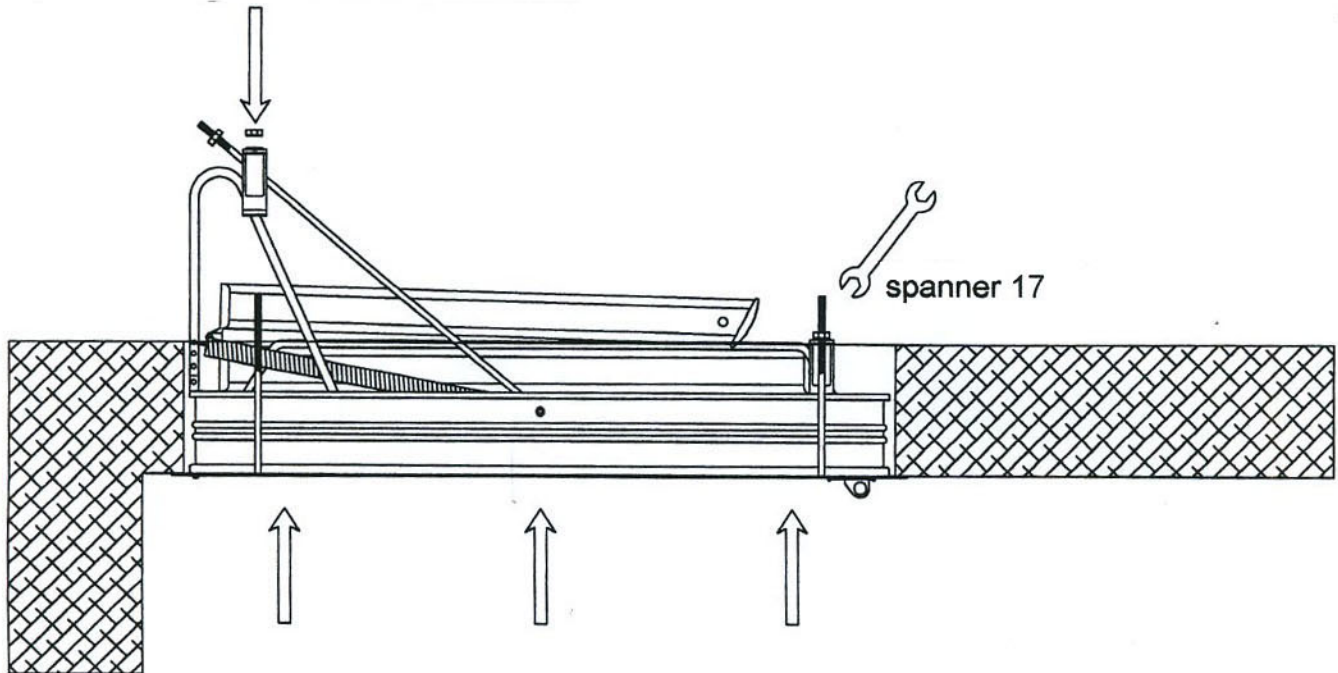
"ACI TRE" e "ACI QUATTRO".

### Working procedure:

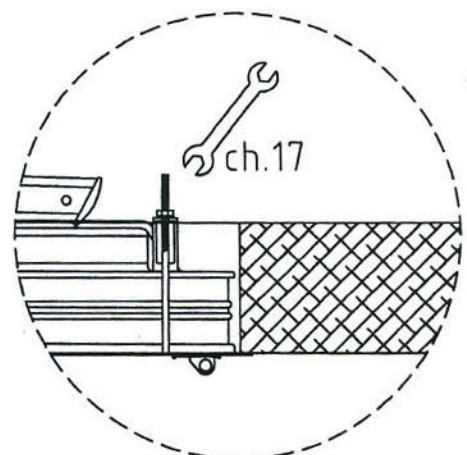
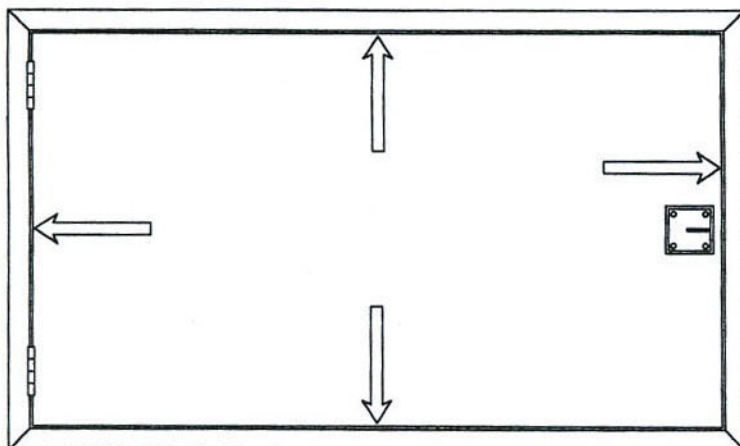
- 1) Open the package and leave the ladder and the stick to pull the ladder down on the access floor. Take the 4 top-fixing brackets with their relevant 10ma nuts to the landing floor.



- 2) By means of supports or ropes slip the ladder inside the wall aperture from underneath. Immediately after that, insert the 4 drilled brackets vertically into the 10ma threaded, projecting bars. Screw down the 10ma nuts with a spanner 17 until the bottom frame beam of the ladder fits tightly to the slab (do not finally tighten it).

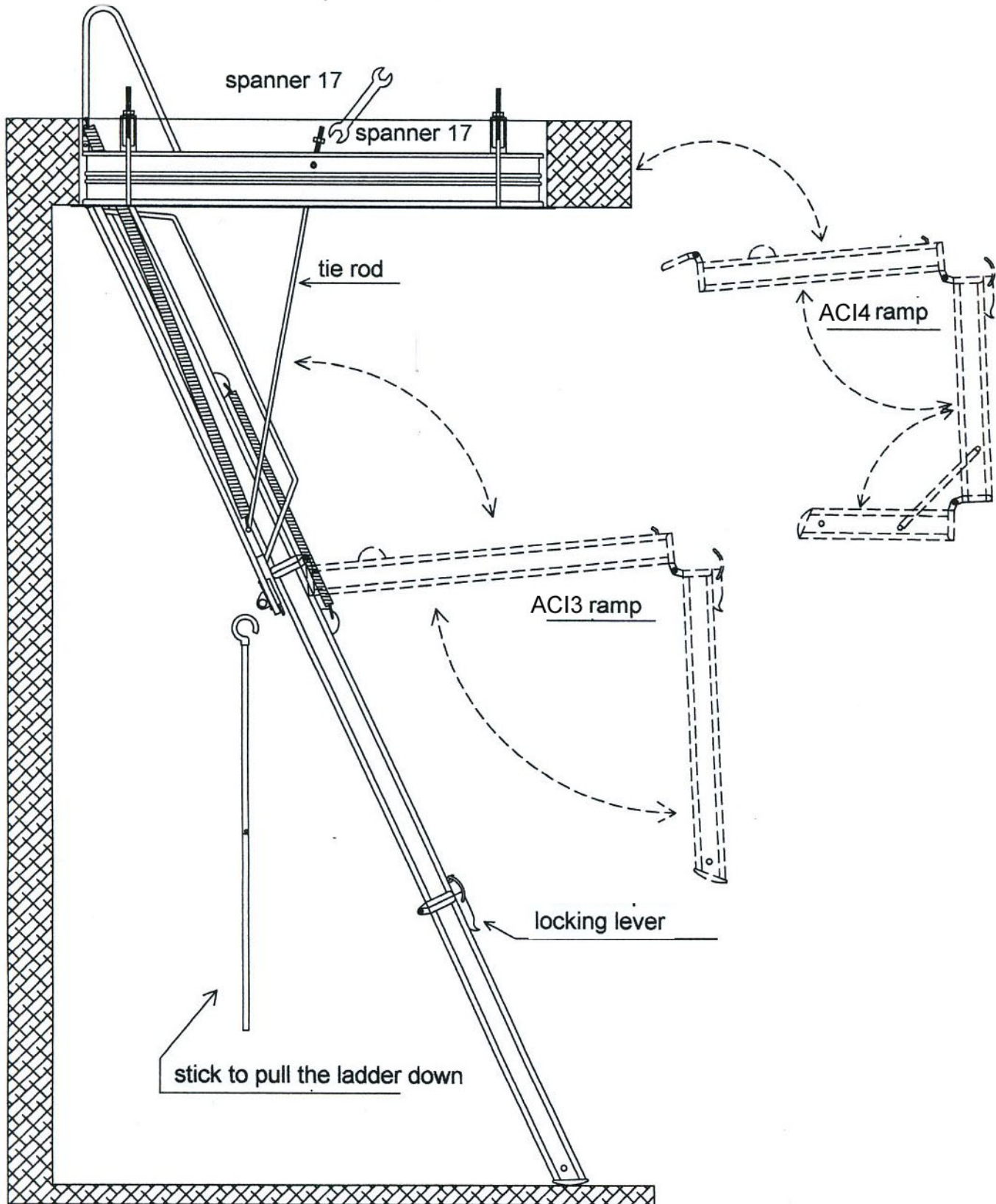


- 3) Check the ladder (in its stowed position) from underneath and make sure there is a steady fissure between the frame and the panel (ladder with right angles) and that anyhow the panel does not make contact with the frame.  
If this is not the case, you have to adjust the ladder from the top, by means of small displacements.  
Then finally tighten the ladder firmly to the slab at the 10ma nuts of the brackets by means of the spanner 17.



- 4) Use the stick ending in a hook (the stick is made up of two sections) to unstow the ladder from underneath, by inserting the hook in the projecting ring of the panel and pulling the stick. Then turn and extend the 3 or 4 ladder ramps and lock them with the locking lever.

Make sure that the 3 or 4 sections of the ramp are perfectly aligned and that the ramp rests firmly on the floor, by screwing down or out the 2 10ma nuts featured on the 2 tie-rods with the spanner 17.



Should the ladder be adjusted for heights falling outside standard heights, in addition to adjusting the tie rods, you must slide the ramp by means of the 8ma nuts with a spanner 13. Such nuts are featured on the slotted plates at the base of the top section of the ramp.

The ladder must not be bricked in.

Just in case it is imperative to brick it in due to unforeseen specific problems, please be careful not to soil the 2 lock nuts for ratchets and tie rods (they must be able to rotate freely).

