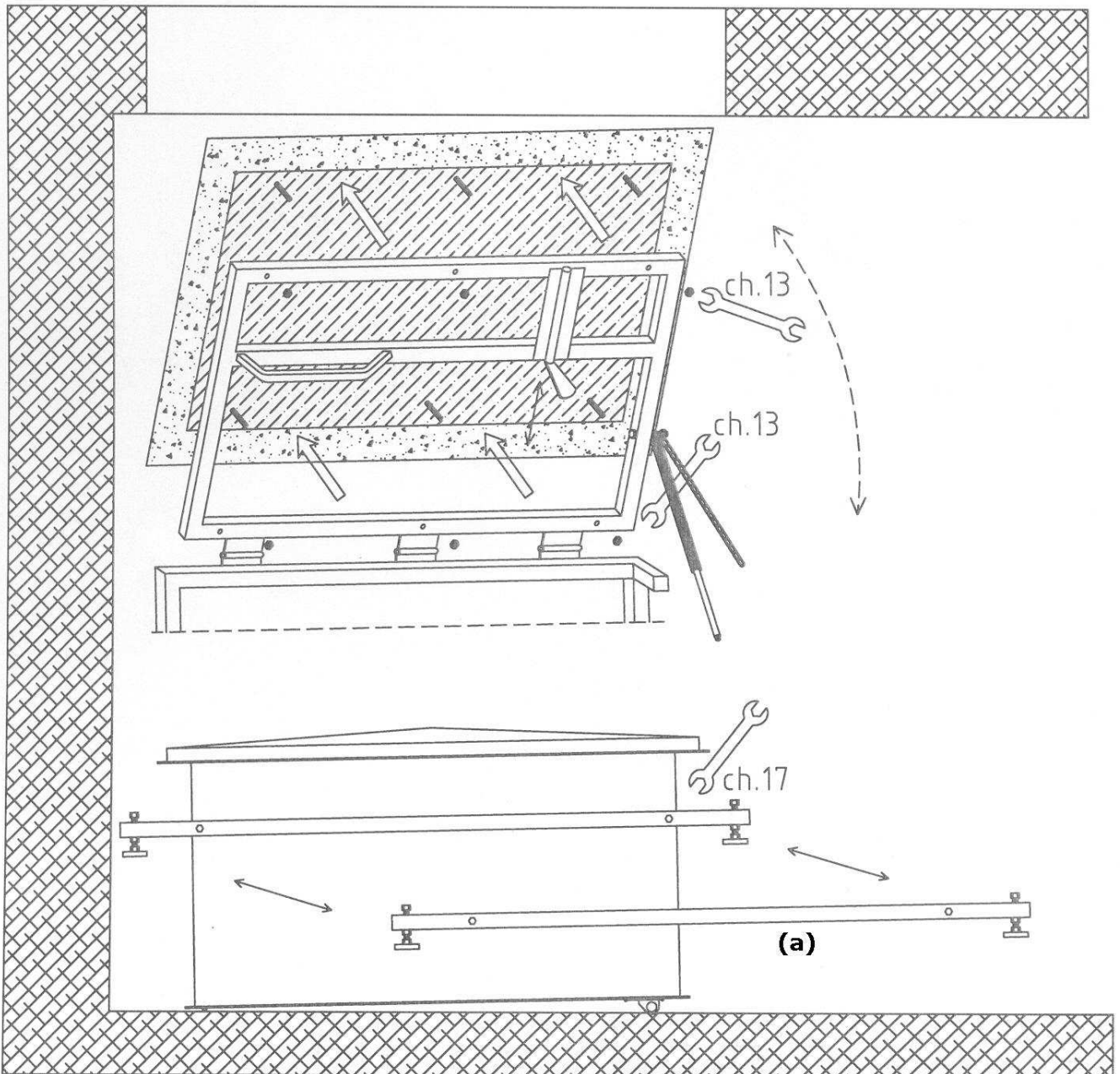
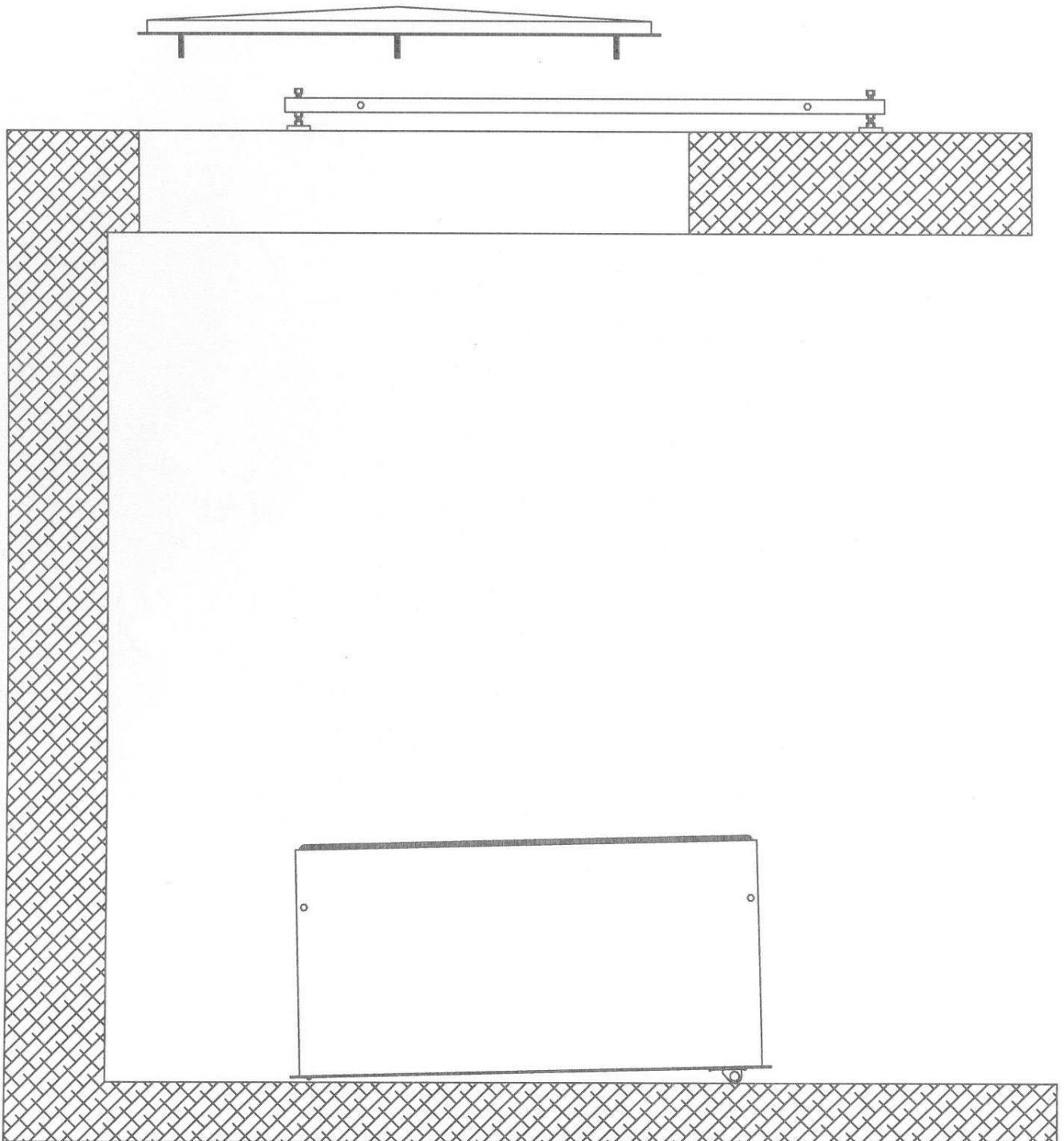


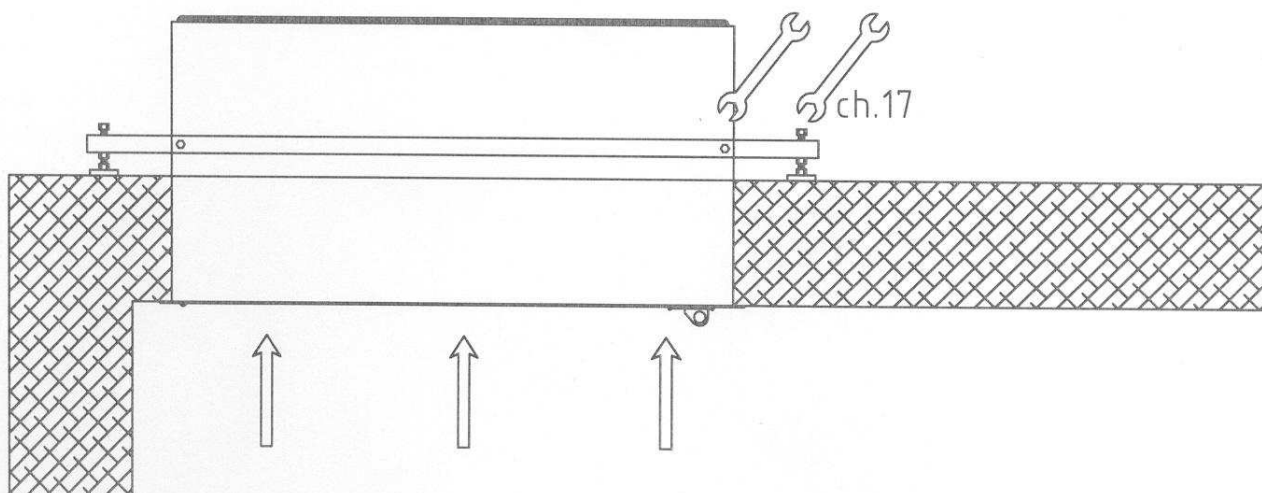
- 1) **TO OPEN THE PACKAGING, PULL THE INTERNAL BOLT AND TO LIFT UP THE UPPER COVER.**  
**TO UNSCREW THE 3 + 3 SCREWS m8 WHICH CONNECT THE UPPER COVER WITH THE IRON FRAME, USING 13 SPANNER, AFTER TO REMOVE THE UPPER COVER.**  
**TO REMOVE THE 2 IRON BARS (a), UNSREWING THE N.4 SCREWS m10 USING 17 SPANNER**



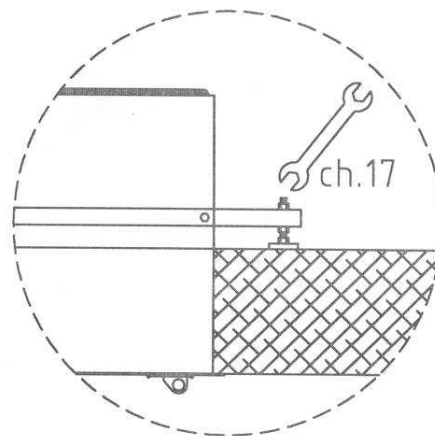
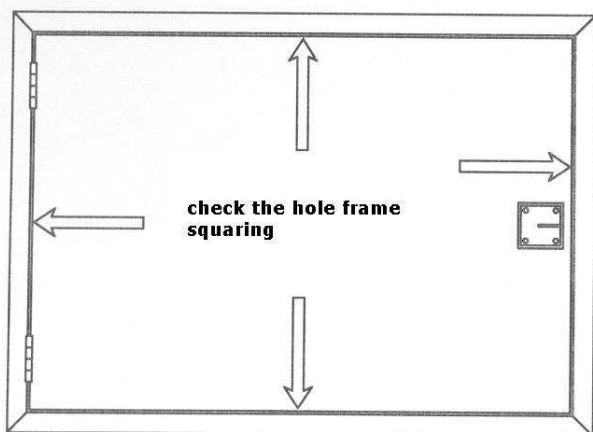
**2) TO TAKE UP THE 2 IRON BARS (a) INCLUDING THE UPPER COVER**



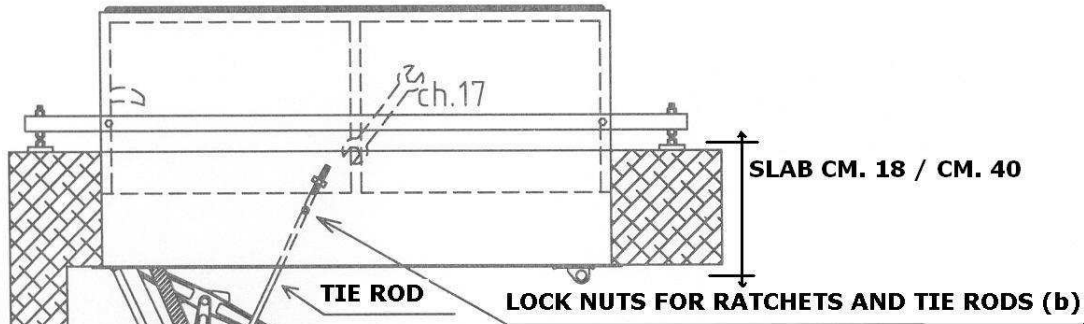
- 3) **TO INSERT THE LADDER INTO THE HOLE FRAME STARTING FROM THE UNDER SIDE, THEN TO SCREW THE NR. 04 ADJUSTABLE CLAMBS TOWARDS THE SLAB.**



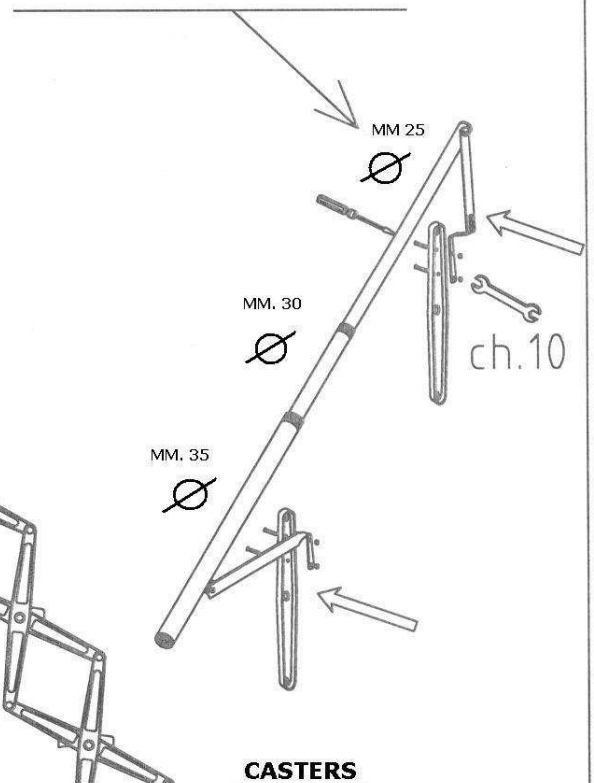
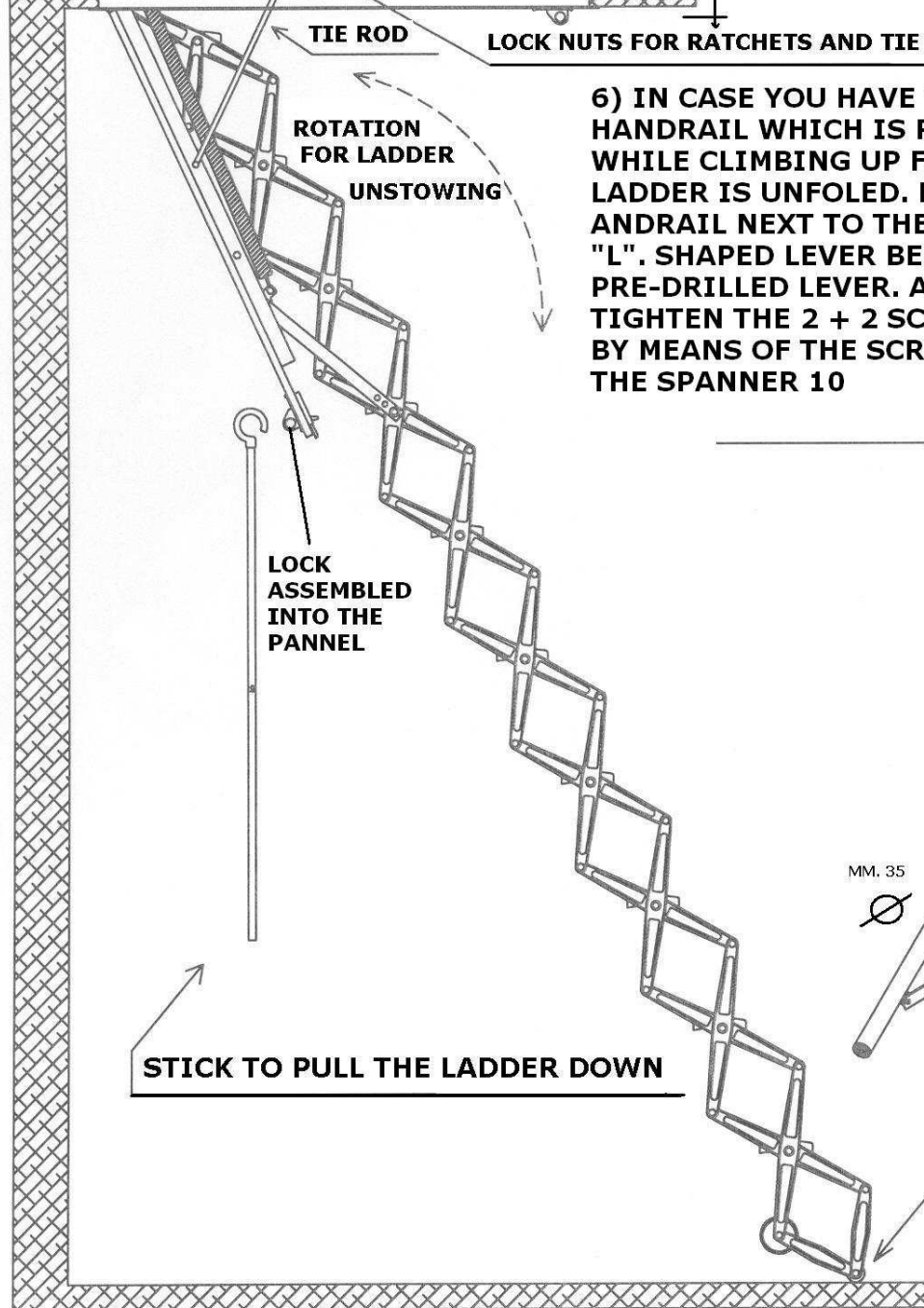
- 4) **WARNING: CHECK THE HOLE FRAME SQUARING. ON THE CONTRARY PROVIDE TO ADJUST.**



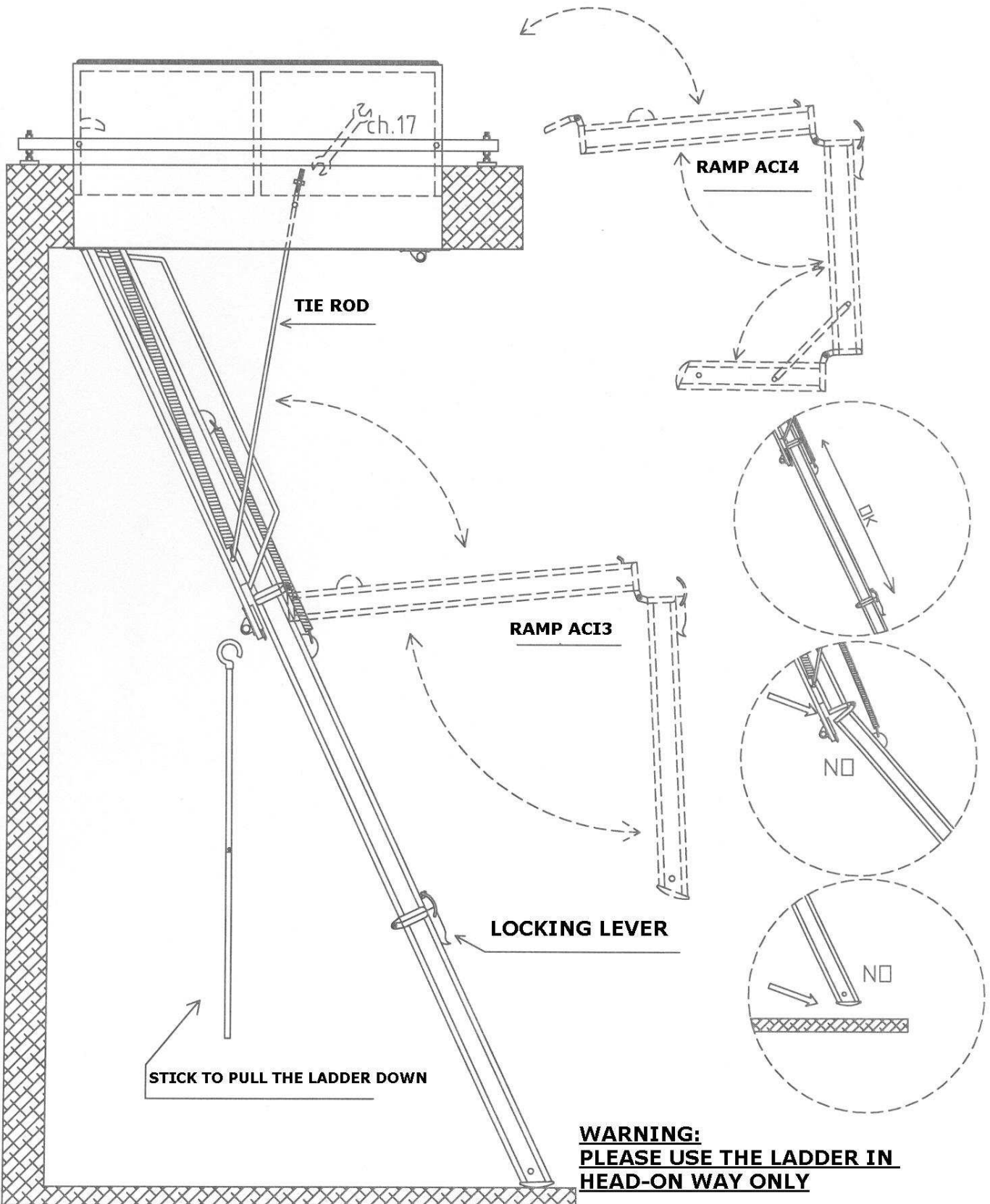
**5) REGARDING ACI SVEZIA - ACI ALLUMINIO MODEL: OPEN THE LADDER EXTENDING THE SCISSOR. (OPERATING WITH PULL DOWN POLE). IN CASE IT NEEDS AN HEIGHT REGULATION SCREW / UNSCREW THE M10 NUTS (b) PLACED ON THE TIE-RODS USING 17 SPANNER**



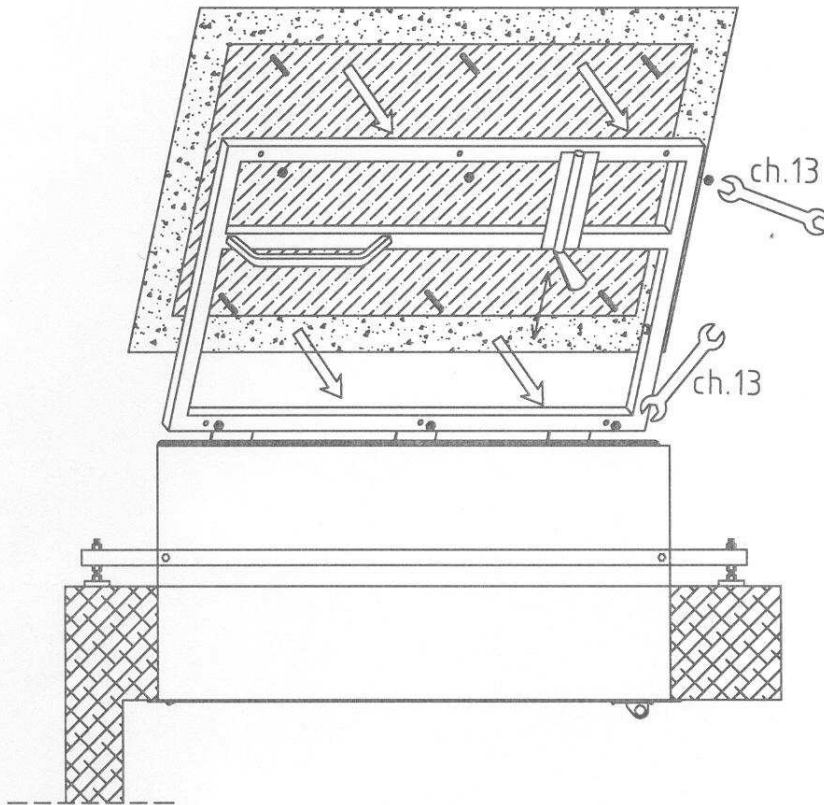
**6) IN CASE YOU HAVE TO FIT A HANDRAIL WHICH IS RIGH-HAND SIDE WHILE CLIMBING UP FIT IT WHEN THE LADDER IS UNFOLED. PLACE THE ANDRAIL NEXT TO THE RAMP, WHIT THE "L". SHAPED LEVER BESIDE THE BOTTOM PRE-DRILLED LEVER. AFTER THAT TIGHTEN THE 2 + 2 SCREW WITH NUTS, BY MEANS OF THE SCREW DRIVER AND THE SPANNER 10**



7) REGARDING ACI TRE - ACI QUATTRO MODEL OPEN THE LADDER EXTENDING THE FOLDING RAMP.  
(OPERATING WITH PULL DOWN POLE). IN CASE IT NEEDS AN HEIGHT REGULATION, SCREW /  
UNSCREW THE M10 NUTS (b) PLACED ON THE TIE-RODS, USING 17 SPANNER.



- 8) TO REUNIT THE UPPER COVER TO FRAME USING THE 3 + 3 M8 SCREWS.  
(USING IS SPANNER).**



- 9) TO SEAL USING TAR-PAPER.**

